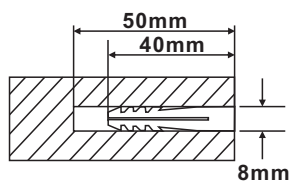
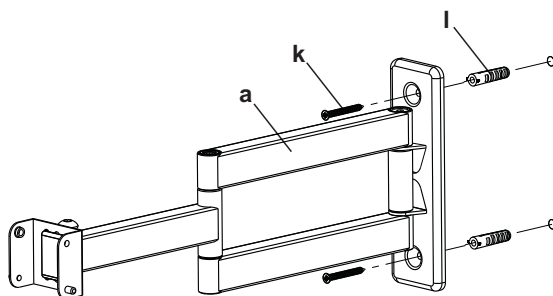
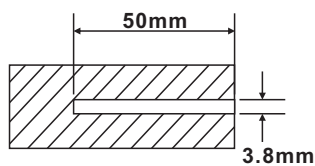
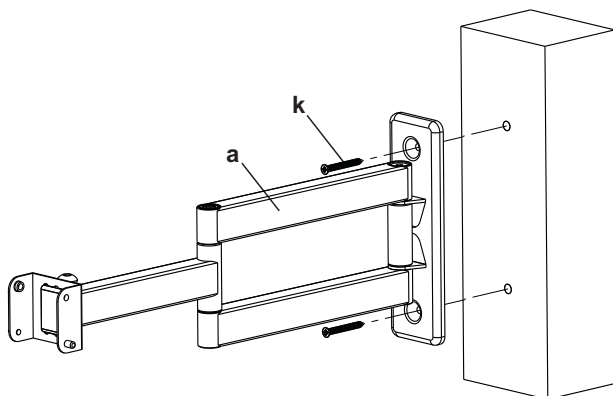


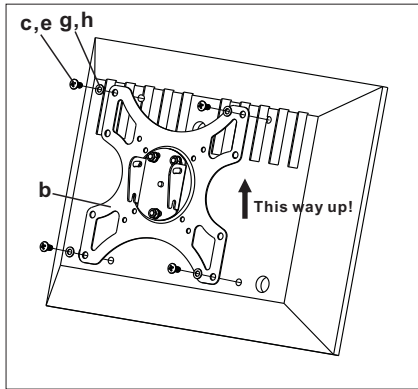
Zid od cigle



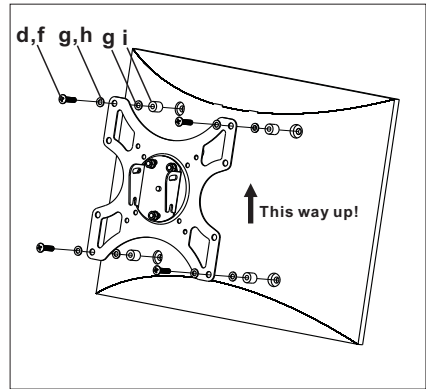
Drveni zid



Step 2 Mounting the VESA 200 Plate to a TV

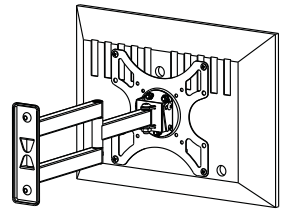
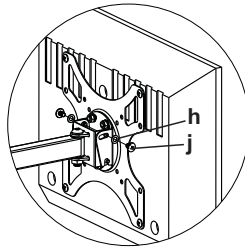
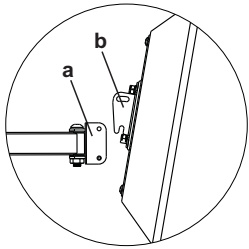


For Flat Back TV



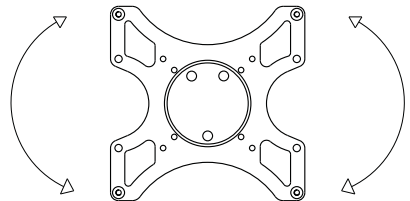
For Curved Back TV

Step 3 Attaching TV to Wall Plate



Step 4 Levelling Mount

You can re-level the mount after the mount has been installed on the wall. Leveling is achieved by rotating the front plate the TV sits on, just hold the TV and do the adjustment.



Thanks for choosing our products, enjoy the using.